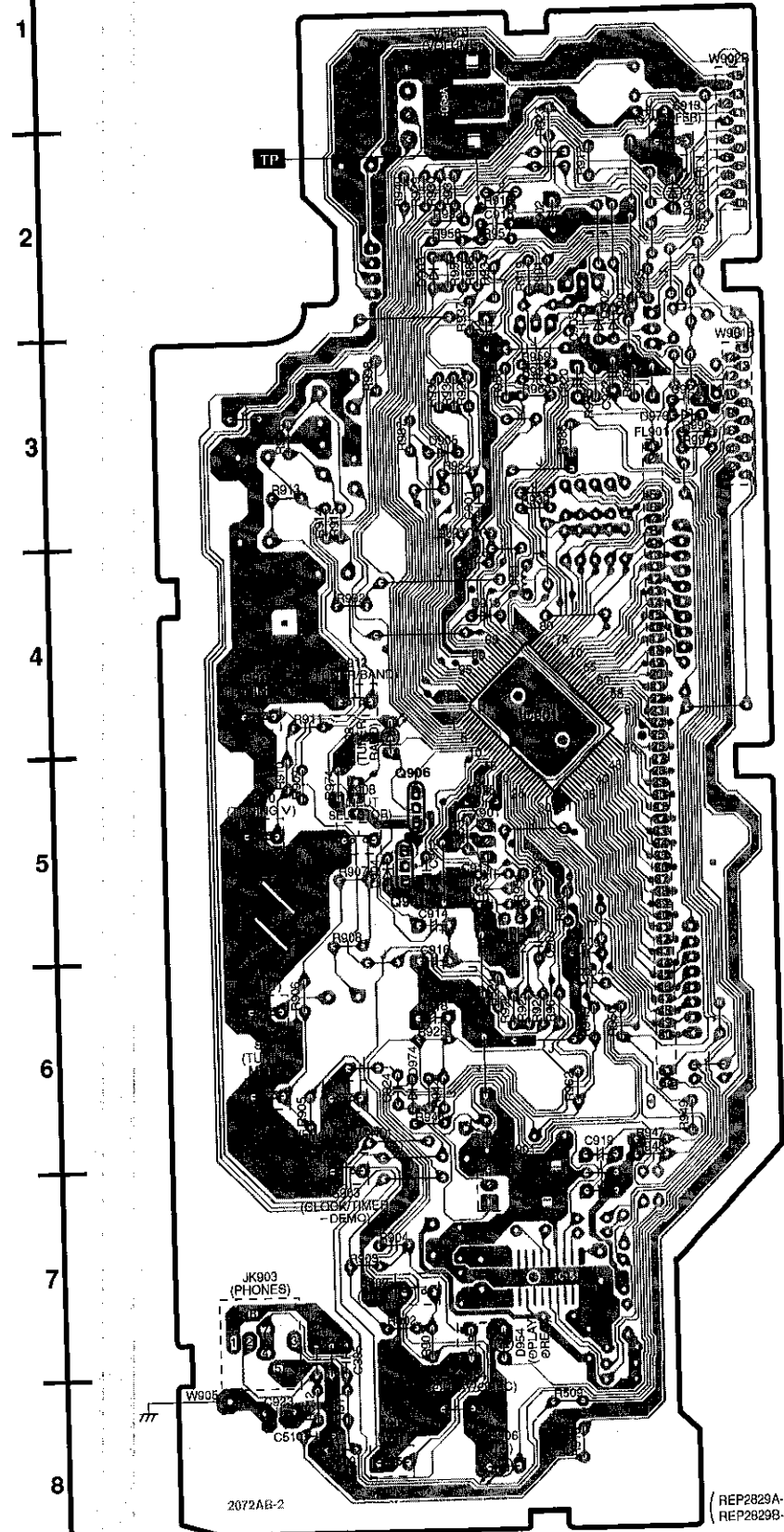


A | B | C | D | E | F

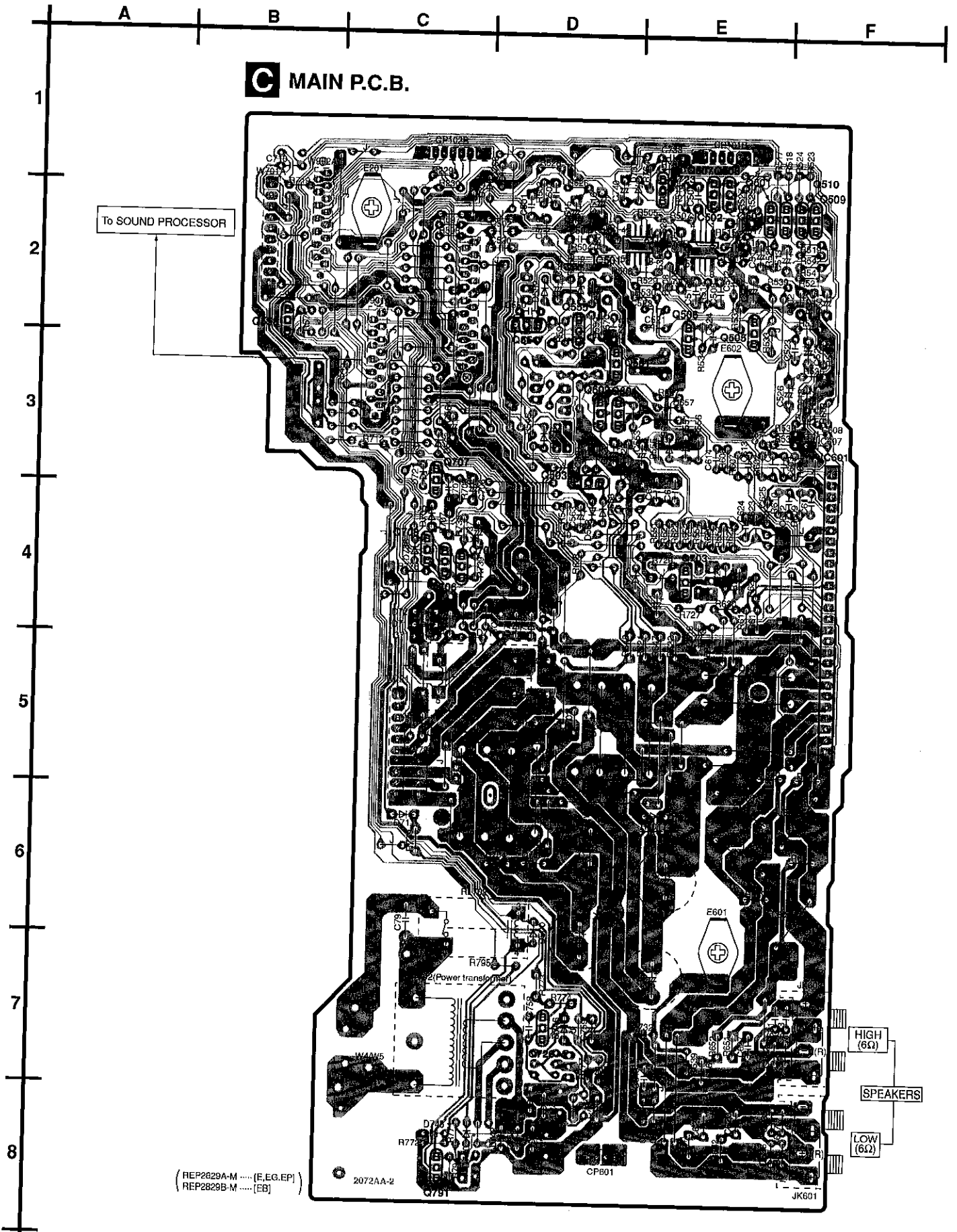
B OPERATION P.C.B.



ELECTRICAL PARTS LOCATION

Ref. No.	Lo. No.	Ref. No.	Lo. No.	Ref. No.	Lo. No.
B OPERATION P.C.B.					
IC901	4C	R905	6B	R957	2C
Q901	5B	R906	6B	R958	3C
Q906	5B	R907	5B	R959	3C
D306	8C	R908	5B	R960	3C
D901	2C	R909	5B	R961	6C
D902	2C	R910	5B	R962	6C
D903	2B	R911	4B	R974	5B
D904	5B	R912	2C	R986	3C
D905	3B	R913	3B	R987	3B
D908	4B	R914	3B	R988	2C
D915	4C	R915	3B	R990	3C
D951	2D	R916	3B	R991	2C
D954	7C	R918	2C	R992	4B
D973	3D	R919	2C	R993	3C
D974	6B	R921	6C	R995	2C
VR901	1C	R922	6C	R996	3D
L901	4C	R923	1C	R997	3D
L902	3C	R924	6C	R998	3B
Z901	7C	R925	6C	C395	7B
X901	5C	R926	3C	C396	7B
X902	5C	R928	6B	C509	8B
FL901	4C	R929	2B	C510	8B
S901	8B	R930	2B	C901	3C
S902	7B	R931	2C	C902	2C
S903	7B	R932	2B	C903	2C
S904	7B	R933	3C	C904	6C
S905	6B	R934	2C	C907	5C
S906	6B	R935	3B	C908	5C
S907	6B	R936	3B	C909	6C
S908	5B	R937	2C	C910	5C
S910	5B	R939	3C	C911	5C
S911	4B	R940	2B	C912	5B
S912	4B	R943	5C	C913	3C
S913	2D	R944	6B	C914	5B
W901B	3D	R945	6C	C915	2C
W902B	2D	R946	6B	C916	6B
W905	8A	R947	6C	C917	6C
JK903	7A	R948	6C	C918	6B
R509	8C	R949	6D	C919	6C
R510	8C	R950	6C	C920	3C
R511	8B	R951	5C	C921	3D
R512	8B	R952	5C	C922	3C
R901	7B	R953	5C	C923	8B
R902	7B	R954	3C	C924	6B
R903	7B	R955	2B	C925	5C
R904	7B	R956	2B	C926	4C

(REP2829A-M [E,EG,EP])
 (REP2829B-M [EB])



C MAIN P.C.B.

To SOUND PROCESSOR

(REP2829A-M [E, E.G. EP])
(REP2829B-M [EB])

2072AA-2

CP801

JK601

HIGH (6Ω)
SPEAKERS
LOW (6Ω)

G

H

I

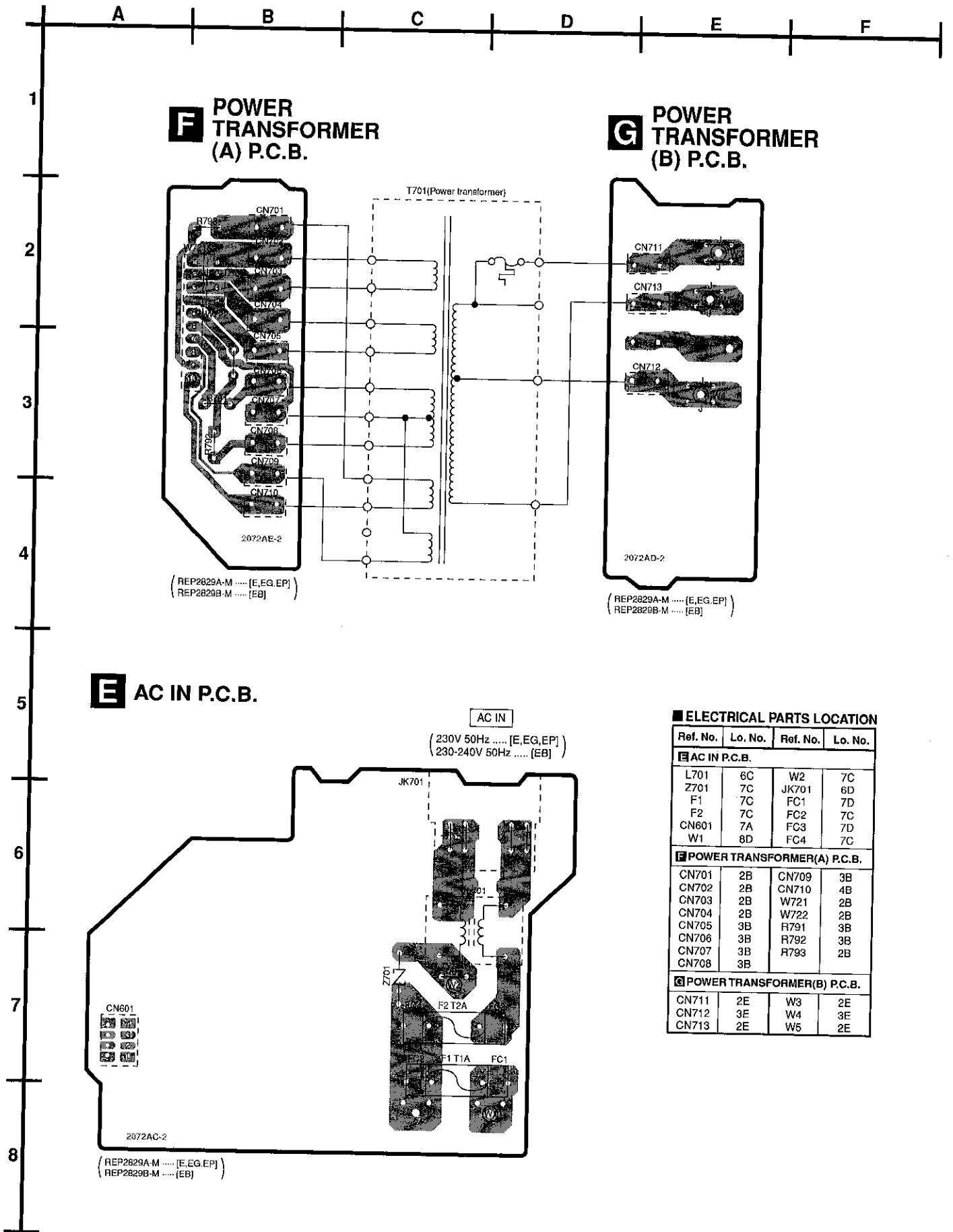
J

K

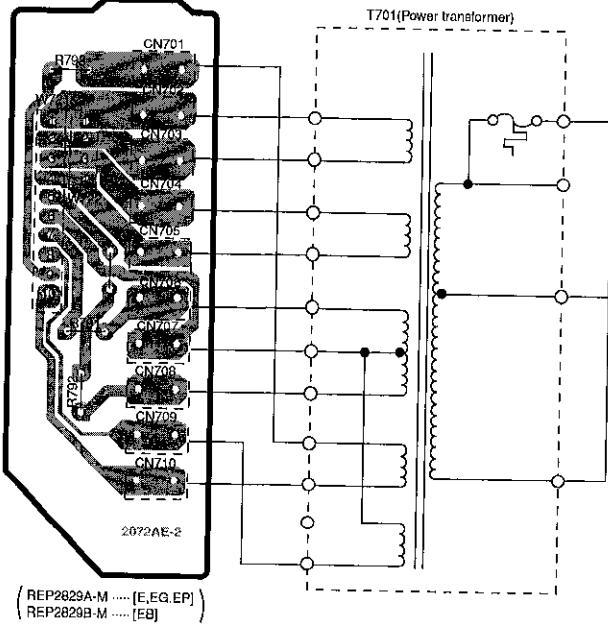
L

■ ELECTRICAL PARTS LOCATION

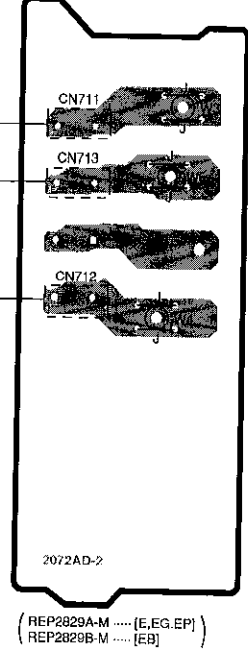
Ref. No.	Lo. No.	Ref. No.	Lo. No.	Ref. No.	Lo. No.	Ref. No.	Lo. No.	Ref. No.	Lo. No.	Ref. No.	Lo. No.
■ MAIN P.C.B.											
IC501	2D	D737	2D	R508	2E	R603	3F	R777	7D	C618	3E
IC502	2E	D740	8C	R513	2E	R604	3F	R779	6C	C619	3D
IC601	4F	D741	8D	R514	2E	R607	3E	R794	8C	C620	8E
Q501	2E	D742	8D	R515	2E	R608	3E	R795	7D	C621	8E
Q502	2E	D743	8D	R516	2E	R609	4F	C501	2D	C622	3D
Q503	3D	D744	8D	R517	1E	R610	4E	C502	2D	C623	4E
Q505	2E	D745	8C	R518	1E	R611	4E	C503	2D	C624	4E
Q506	2E	D746	7D	R519	2F	R612	4E	C504	2D	C625	4E
Q507	2E	D747	7D	R520	2E	R617	3F	C505	2E	C626	7E
Q508	2E	D749	4D	R521	2F	R618	3F	C506	2E	C627	7E
Q509	2F	D751	5D	R522	2F	R621	4E	C507	2E	C631	7F
Q510	2F	D752	5D	R523	1F	R622	4E	C508	2E	C632	7F
Q551	3D	D753	6E	R524	1F	R623	4E	C511	2E	C633	7F
Q554	2D	D754	6D	R525	2E	R624	4E	C512	2E	C634	7F
Q555	2D	D755	6D	R526	2D	R627	4E	C513	2E	C635	8F
Q558	2B	D756	1D	R527	2E	R628	3D	C514	2E	C636	8F
Q601	3D	D757	2C	R528	1D	R629	4E	C515	2D	C637	8F
Q602	3D	L601	6E	R529	2E	R630	4E	C516	2D	C638	8F
Q703	4E	L602	6E	R530	2E	R637	3D	C517	2E	C639	7E
Q706	4C	L603	6F	R531	2F	R638	4D	C518	2E	C640	7E
Q707	3C	L604	6F	R532	2E	R639	6E	C519	2D	C641	8E
Q708	4C	T702	7C	R533	2E	R640	5E	C520	2D	C642	8E
Q709	4C	RL701	5D	R534	2E	R641	8E	C521	2E	C647	3E
Q723	2E	RL702	6C	R535	3F	R642	8E	C522	2E	C701	7E
Q726	7D	JK601	8F	R536	3F	R647	5E	C523	3F	C702	6D
Q791	8C	JK602	7F	R537	3E	R648	5D	C524	2E	C703	6E
D500	6D	E201	2C	R538	3E	R649	5F	C525	3F	C704	6D
D551	3E	E601	7E	R539	2E	R650	6F	C526	3F	C706	4C
D552	2D	E602	3E	R541	2F	R651	7E	C527	2E	C707	4C
D555	2D	CP101B	1E	R542	2F	R652	7E	C528	2E	C709	4D
D558	4D	CP102B	1C	R544	4D	R701	6E	C530	2E	C710	1B
D562	4D	CP601	8D	R545	3C	R702	5D	C550	2D	C714	4C
D563	3C	W1	7C	R548	3D	R707	4C	C551	3E	C715	4D
D601	5E	W2	8C	R551	4E	R708	4C	C552	2D	C721	4E
D602	5E	W3	7C	R552	4E	R712	3C	C553	3E	C723	4E
D657	3E	W4/W5	7C	R553	4E	R719	2B	C554	2D	C731	4D
D658	3D	W501	2C	R554	4E	R721	5E	C563	4D	C732	7E
D701	5D	W701A	2B	R555	3E	R722	5E	C564	3C	C733	1E
D702	5D	W721	5C	R556	3E	R727	4E	C601	2F	C737	4C
D703	5E	W722	5C	R557	3E	R729	4E	C602	2F	C740	2D
D704	5C	W901A	3C	R558	2D	R738	4C	C603	3E	C741	5C
D705	4C	W902A	2B	R559	2D	R739	4C	C604	3E	C753	8D
D711	6C	R229	1C	R561	2D	R763	1E	C607	3F	C754	8D
D715	4C	R230	2C	R570	2D	R764	1E	C608	3F	C758	7D
D717	4D	R501	2D	R571	2B	R766	4C	C611	4F	C759	7D
D718	4D	R502	2D	R572	3C	R767	4E	C612	4F	C761	5D
D719	4C	R503	2D	R591	2D	R771	8C	C613	3E	C791	6C
D720	4C	R604	2D	R597	2C	R772	8C	C614	3E		
D721	3C	R505	2E	R598	2C	R773	7D	C615	3E		
D725	4E	R506	2E	R601	3F	R774	7D	C616	4E		
D736	4C	R507	2E	R602	3E	R776	4C	C617	3D		



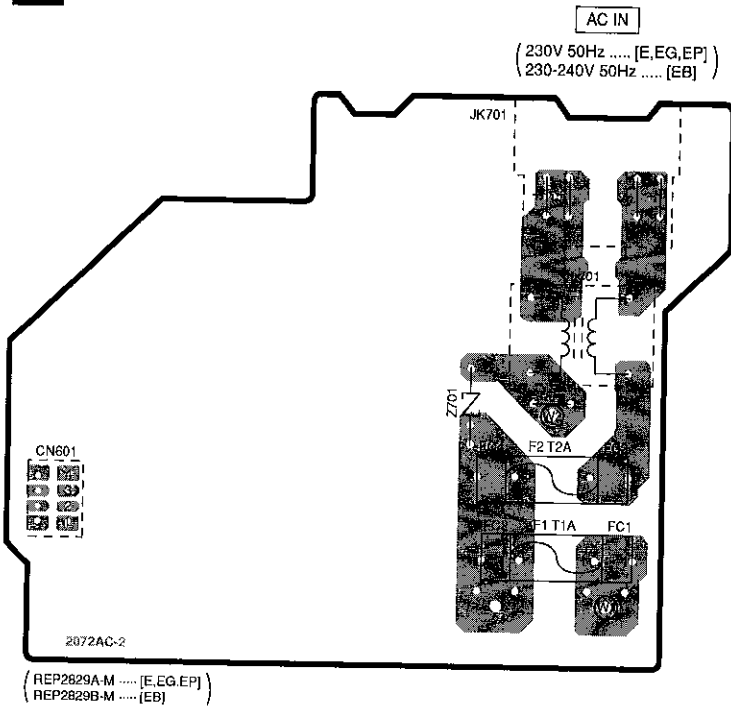
F POWER TRANSFORMER (A) P.C.B.



G POWER TRANSFORMER (B) P.C.B.



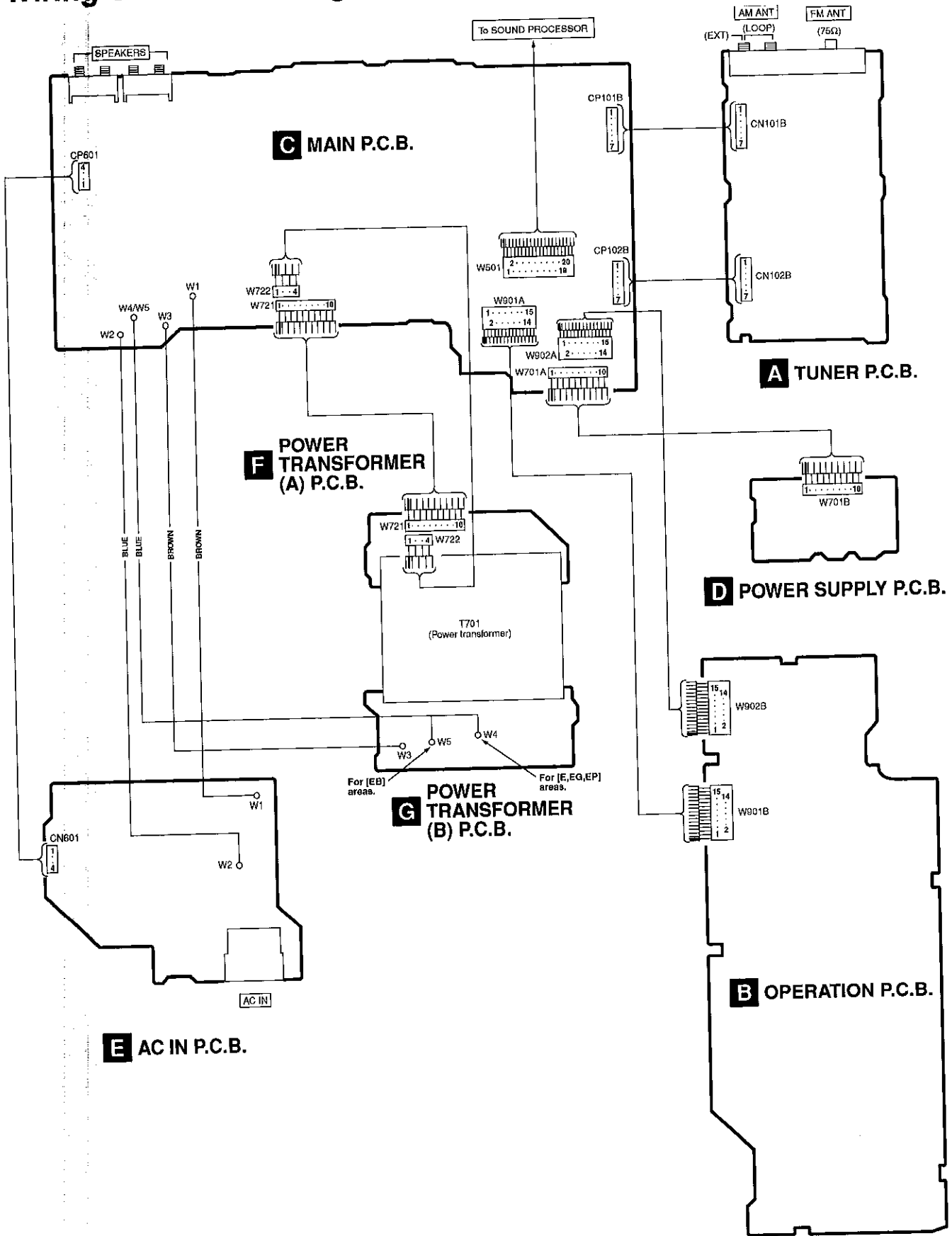
E AC IN P.C.B.



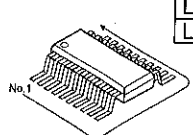
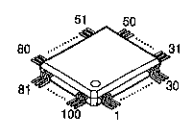
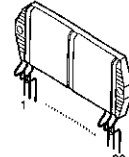
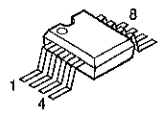
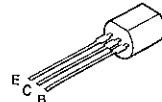

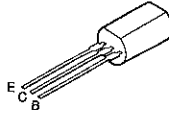
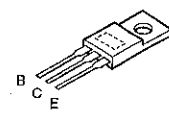
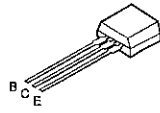
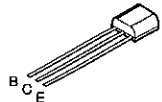
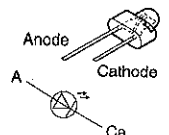
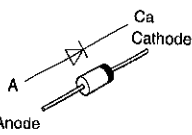
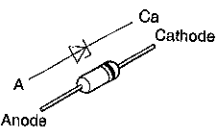
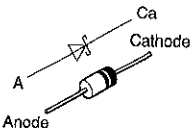
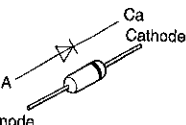
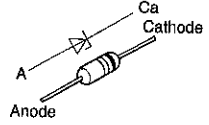
ELECTRICAL PARTS LOCATION

Ref. No.	Lo. No.	Ref. No.	Lo. No.
E AC IN P.C.B.			
L701	6C	W2	7C
Z701	7C	JK701	6D
F1	7C	FC1	7D
F2	7C	FC2	7C
CN601	7A	FC3	7D
W1	8D	FC4	7C
F POWER TRANSFORMER(A) P.C.B.			
CN701	2B	CN709	3B
CN702	2B	CN710	4B
CN703	2B	W721	2B
CN704	2B	W722	2B
CN705	3B	R791	3B
CN706	3B	R792	3B
CN707	3B	R793	2B
CN708	3B		
G POWER TRANSFORMER(B) P.C.B.			
CN711	2E	W3	2E
CN712	3E	W4	3E
CN713	2E	W5	2E

■ Wiring Connection Diagram



■ Type Illustration of IC's, Transistors and Diodes

 <p>LA1833MN-TLM 24PIN LC72131MDTLM 20PIN</p>	<p>LC8A524A5K01</p> 	<p>RSN307M42</p> 	<p>BA4558FDXE2</p> 	<p>2SB621AQRSTA 2SD592AQRSTA</p> 
 <p>2SC2785FETA 2SC2787LTA 2SC3311ARSTA UN4111TA UN4211TA UN4212TA UN4115TA</p>	<p>2SC3940AQSTA</p> 	<p>2SB1548PQAU 2SD2374PQAU</p> 	<p>2SD2144STA</p> 	<p>2SA1995RSTA 2SC5398RSTA</p> 
<p>LNJ301MPUJAD LNJ801TPSJAD LNJ401NPYJA</p> 	<p>1N5402BF RL1N4003N02</p> 	<p>MA4091HTA MA4100MTA MA4150HTA MA4300MTA</p> 	<p>SB360L6508</p> 	<p>MA165TA MA700TA 1SS291TA</p> 
 <p>MA4039MTA MA4051MTA MA4068MTA MA4082LTA</p>				

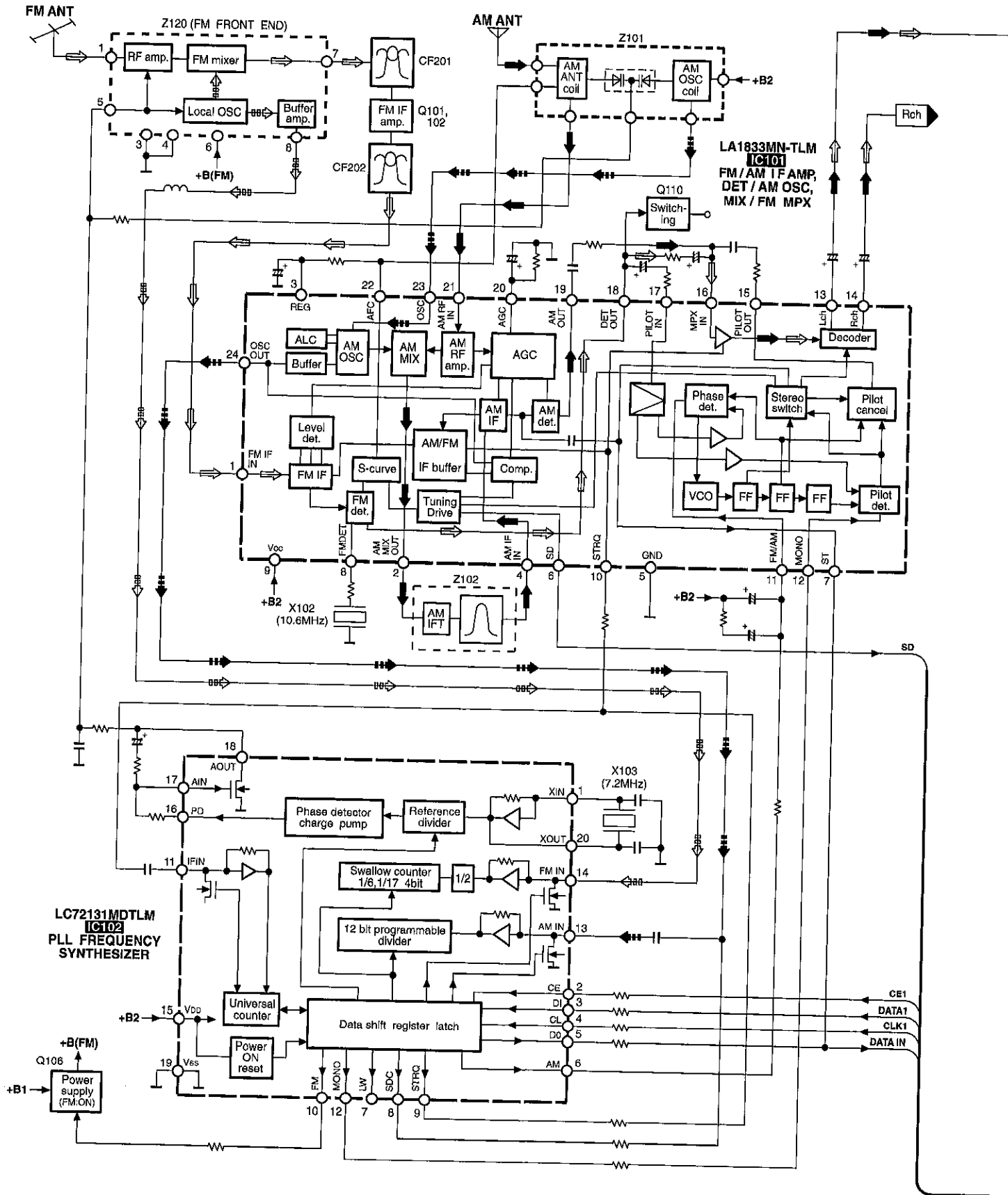
■ Terminal Function of IC's

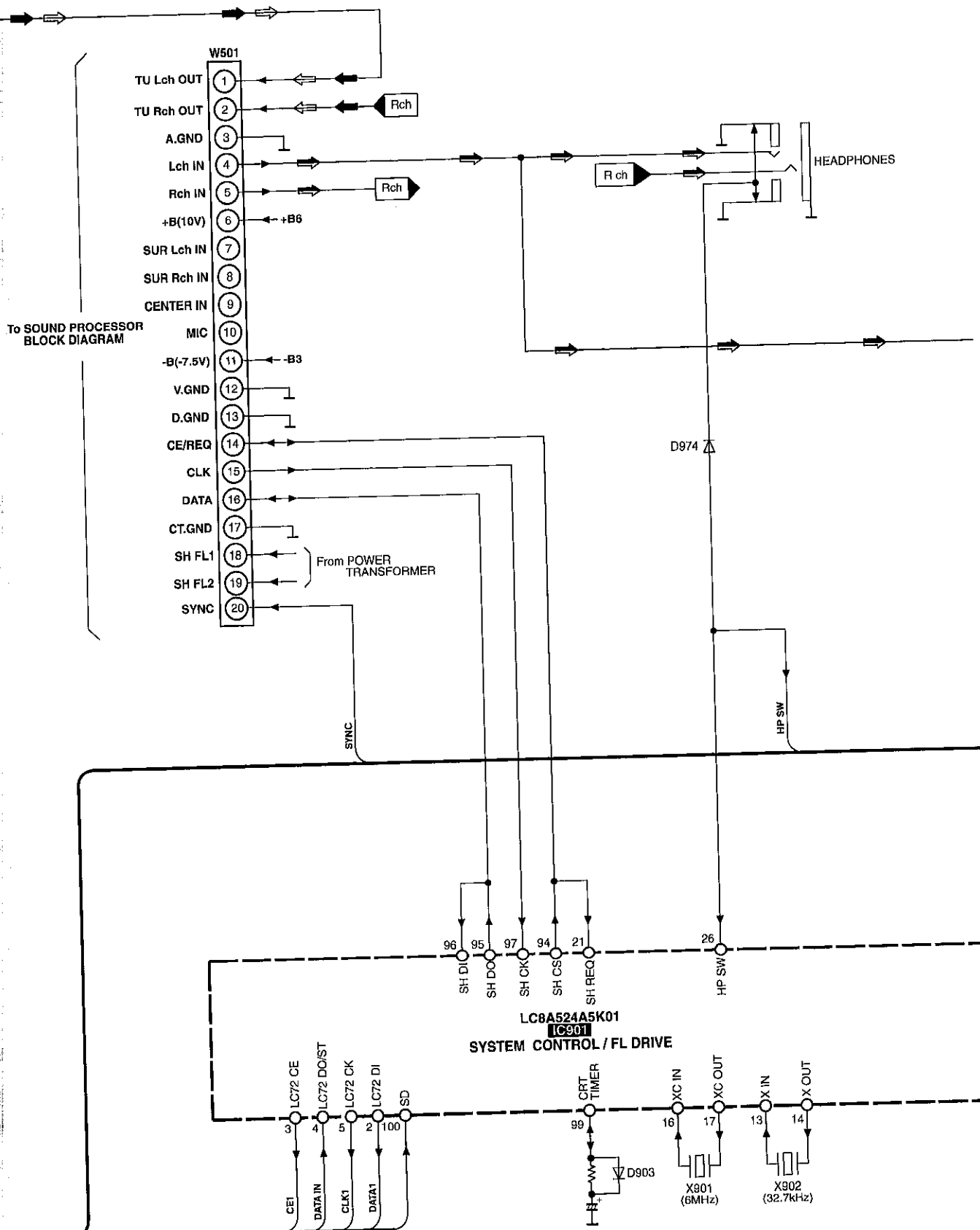
● IC901 (LC8A524A5K01) : System Control/ FL Drive

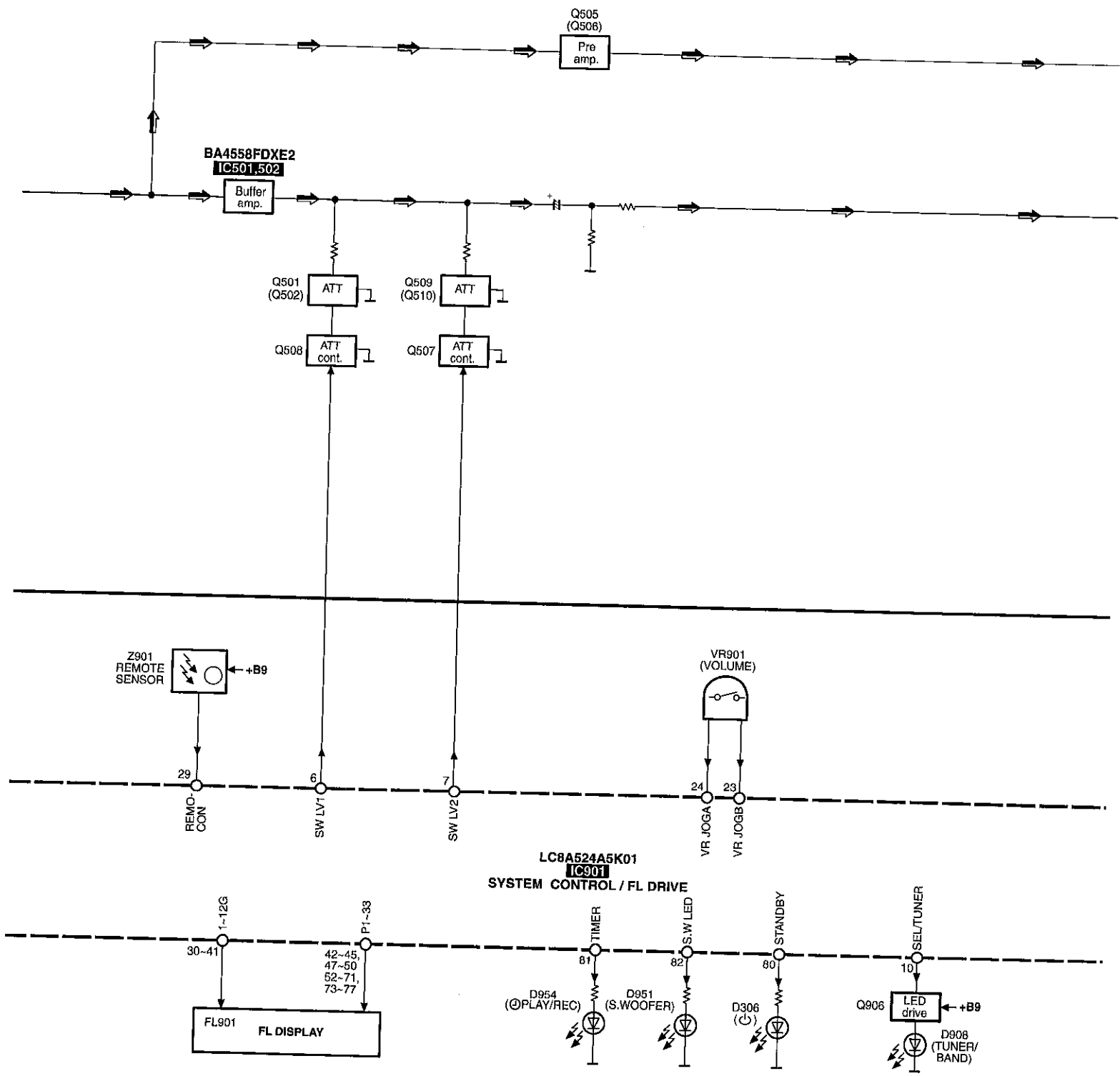
Pin No.	Terminal Name	I/O	Function
1	CHECK	O	Clock check signal output
2	LC72 DI	O	PLL data signal output for IC102
3	LC72 CE	O	Chip enable signal output for IC102
4	LC72 DO/ ST	I	IF count data/stereo detect signal input for IC102
5	LC72 CK	O	Clock signal output for IC102
6	SW LV1	O	LEVEL 1 signal output for IC502
7	SW LV2	O	LEVEL 2 signal output for IC502
8	SW MUT	O	Muting signal output for IC502
9	SEL TUNER	-	Tuner select signal output (Not used, open)
10	SEL/ TUNER	O	Tuner select signal output ("L" = Tuner)
11	AC IN	I	Power failure detect signal input
12	RESET	I	Reset signal input
13	X IN	I	Oscillator connected terminal (32.7 kHz)
14	X OUT	O	
15	V _{ss}	-	GND terminal
16	XC IN	I	Oscillator connected terminal (6 MHz)
17	XC OUT	O	
18	V _{DD1}	I	Power supply terminal
19	KEY TU	I	Operation key signal input (TUNER, TIMER, AMP.section)
20	KEY KARAOKE	I	Operation key signal input (KARAOKE section)
21	SH REQ	I	Request signal input for sound processor
22	NC(GND)	-	Not used, connected to GND
23	VR JQGB	I	Volume control signal input
24	VR JQGA		
25	MIC DET	I	Microphone connecting detect signal input
26	HP SW	I	Headphones connecting detect signal input
27	RDS CLK	I	RDS clock signal input
28	RDS DATA	I	RDS data signal input
29	REMOCON	I	Remote control signal input

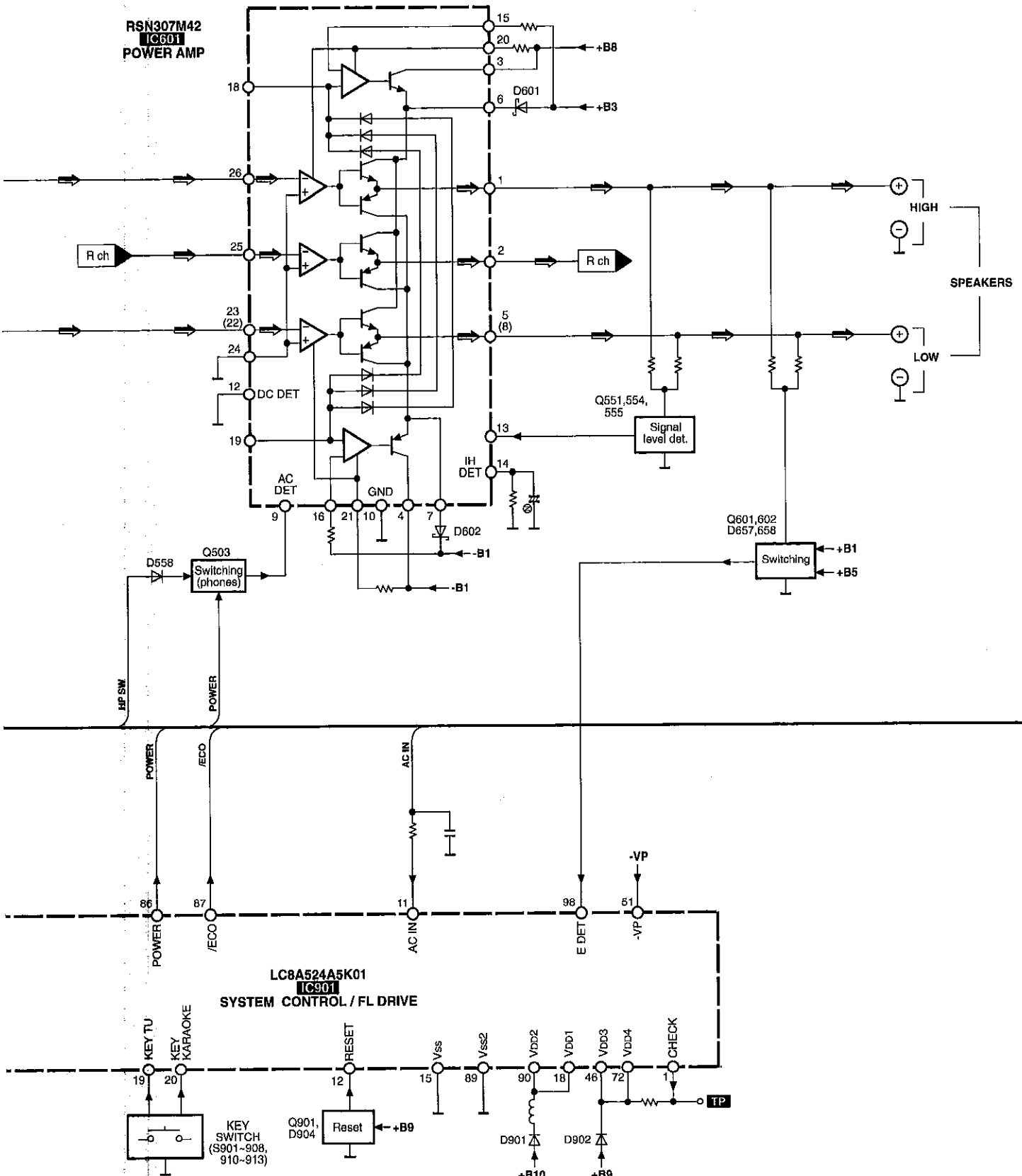
Pin No.	Terminal Name	I/O	Function
30~41	12G~1G	O	Grid signal output
42~45	P33~P30	O	Segment signal output
46	V _{DD3}	I	Power supply terminal
47~50	P29~P26	O	Segment signal output
51	-VP	I	Power supply terminal (negative)
52~71	P25~P6	O	Segment signal output
72	V _{DD4}	I	Power supply terminal
73~77	P5~P1	O	Segment signal output
78	REGIN0	I	Area select signal input
79	REGIN1	I	Area select signal input
80	STANDBY	O	LED (STAND BY) drive signal output
81	TIMER	O	LED (TIMER) drive signal output
82	S.W LED	O	LED (S.WOOFER) drive signal output
83	LOUNGE	O	LED (LOUNGE) drive signal output
84	CHORUS	O	LED (CHORUS) drive signal output
85	MUTE	O	Muting signal output
86	POWER	O	Power control signal output
87	/ECO	O	ECO signal output
88	NC	-	Not used, open
89	V _{ss2}	-	GND terminal
90	V _{DD2}	I	Power supply terminal
91~93	NC	-	Not used, open
94	SH CS	O	Chip select signal output to Sound processor
95	SH DO	O	Serial communication signal to Sound processor (Data signal output)
96	SH DI	I	Serial communication signal to Sound processor (Data signal input)
97	SH CK	I	Serial communication signal to Sound processor (Clock signal input)
98	E DET	I	Unusual condition detect terminal ("L": Unusual)
99	CR TIMER	I/O	TIME CONSTANT terminal
100	SD	I	Station detector signal input for tuner circuit

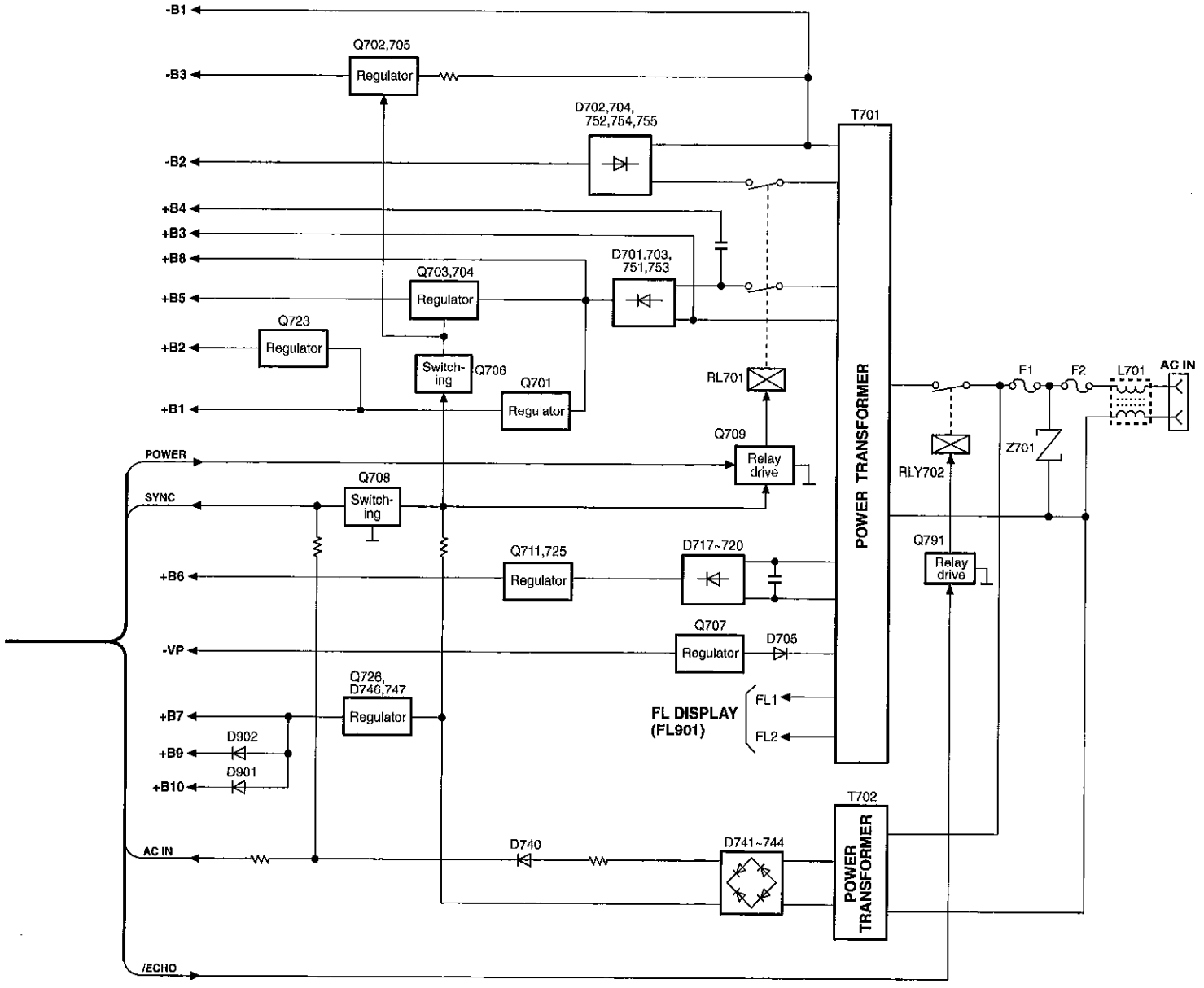
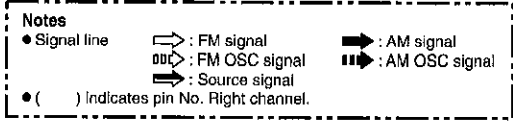
Block Diagram











Replacement Parts List

Notes: * Important safety notice:

Components identified by Δ mark have special characteristics important for safety. Furthermore, special parts which have purposes of fire-(resistors), etc. are used. When replacing any of components, be sure to use only manufacturer's specified parts shown in the parts list.

* The parenthesized indications in the Remarks columns specify the areas. (Refer to the cover page for area.)

* ALL parts are supplied by MESA.

* The "<IA> <IB> <IC> <ID> <IE>" marks in Remarks indicate language of operating instructions.

<IA>: Spanish, Swedish

<IB>: English

<IC>: German, Italian, French

<ID>: Dutch, Danish

<IE>: Russian, Czech, Polish

Ref.No.	Part No.	Part Name & Description	Pcs	Remarks
1	RKM0395-S	CABINET	1	
2	RHD30007-K1	SCREW	4	
3	XTBS3+10JFZ1	SCREW	1	
4	REX0967	WIRE ASS'Y	1	
5	RMZ0339	ZNR COVER	1	
6	RGW0317-S	KNOB,VOLUME	1	
7	RHN90001	NUT	1	
8	RKA0106-N	FOOT RING	4	
9	RKF0589A-K	BACK GRILL	1	
10	RKW0581-V	FL WINDOW	1	
11	RMN0427	CABLE HOLDER	1	
12	RYP0915C-S	FRONT PANEL	1	
12-1	RGB0025-A	TECHNICS BADGE	1	
13	SHQ1654	RUBBER	4	
14	XTB3+10JFZ	SCREW	9	
15	XTB3+8JFZ	SCREW	11	
16	XTW3+15T	SCREW	2	
17	XTBS3+8JFZ1	SCREW	2	
18	RLBT4001-N	FERRITE CORE	1	
A1	RAK-EHA18WH	REMOTE CONT.TRANSMITTER	1	
A1-1	RKK0123-H	BATTERY COVER	1	
A2	REE0499	SPEAKER CORD	2	
A3	REE0853	SPEAKER CORD	2	
A4	RJA0019-X	AC POWER SUPPLY CORD	1	(E,EG,EP)
A4	RJA0053-2X	AC POWER SUPPLY CORD	1	(EB)
A5	RQA0117	WARRANTY CARD	1	(E,EB,EG)
A6	RQCA0668	QUICK REFERENCE GUIDE	1	(EB)
A7	RQCB0169	SERVICE CENTER LIST	1	(E,EB,EG)
A8	RQT4969-E	OPERATING INSTRUCTIONS	1	(E)<IA>
A8	RQT4970-B	OPERATING INSTRUCTIONS	1	(EB,EP)<IB>
A8	RQT4967-D	OPERATING INSTRUCTIONS	1	(EG)<IC>
A8	RQT4968-H	OPERATING INSTRUCTIONS	1	(EG)<ID>
A8	RQT4971-R	OPERATING INSTRUCTIONS	1	(EP)<IE>
A9	RSA0007	FM INDOOR ANTENNA	1	
A10	RSA0022-J	AM LOOP ANTENNA	1	
A11	SJP9009	ANT ADAPTOR	1	(EB)
C101	ECBT1C103NS5	16V 0.01U	1	
C102	ECEA1CKS101	16V 100U	1	
C103	ECBT1C103NS5	16V 0.01U	1	
C104,05	ECBT1H102KB5	50V 1000P	2	
C106	ECBT1C103NS5	16V 0.01U	1	
C107	ECBT1H473ZF5	50V 0.047U	1	
C108	ECBT1H8R2KC5	50V 8.2P	1	
C109	ECBT1H102KB5	50V 1000P	1	
C110	ECBT1C103NS5	16V 0.01U	1	
C111	ECEA1EKS4R7	25V 4.7U	1	
C112	ECBT1C103NS5	16V 0.01U	1	
C113	ECBT1H102KB5	50V 1000P	1	
C114	RCE1HKA3R3BG	50V 3.3U	1	
C115	ECEA1EKS4R7	25V 4.7U	1	
C116	ECFR1C333KR	16V 0.033U	1	
C117,18	ECFR1C183KR	16V 0.018U	2	
C119	ECQP1391JZ	100V 390P	1	
C120	RCE1CKA100BG	16V 10U	1	
C121	RCE1HKA47BG	50V 0.47U	1	

Ref.No.	Part No.	Part Name & Description	Pcs	Remarks
C122,23	ECEA1HKS010	50V 1U	2	
C124	ECBT1H101KB5	50V 100P	1	
C125	ECEA1CKS220	16V 22U	1	
C126	ECBT1H473ZF5	50V 0.047U	1	
C127	ECEA1CKS220	16V 22U	1	
C129,30	ECEA0JKS101	6.3V 100U	2	
C131	ECBT1H101KB5	50V 100P	1	
C132	ECBT1H102KB5	50V 1000P	1	
C133,34	ECBT1H270JU5	50V 27P	2	
C136	ECBT1H102KB5	50V 1000P	1	
C137	ECFR1E472KR	25V 4700P	1	
C138	ECBT1C103KS5	16V 0.01U	1	
C139	ECFR1E472KR	25V 4700P	1	
C141,42	ECEA1HKS010	50V 1U	2	
C143,44	ECBT1C472KR5	16V 4700P	2	
C147	ECBT1H102KB5	50V 1000P	1	
C148	ECBT1C103NS5	16V 0.01U	1	
C149	ECBT1H104ZF5	50V 0.1U	1	
C395,96	ECBT1H473ZF5	50V 0.047U	2	
C501,02	ECFR1C683KR	16V 0.068U	2	
C503,04	ECFR1C223KR	16V 0.022U	2	
C505-08	ECFR1C563KR	16V 0.056	4	
C509-12	ECBT1E103ZF	25V 0.01U	4	
C513-16	RCE1HKA3R3BG	50V 3.3U	4	
C517,18	ECKR1H562KB5	50V 5600P	2	
C519,20	ECFR1C473KR	16V 0.047U	2	
C521,22	ECBT1H104KB5	50V 0.1U	2	
C523,24	ECBT1H220JC5	50V 22P	2	
C525,26	ECEA1HKS010	50V 1U	2	
C527	ECEA1CKS101	16V 100U	1	
C528	ECBT1E103ZF	25V 0.01U	1	
C530	ECBT1E103ZF	25V 0.01U	1	
C550	ECBT1C103NS5	16V 0.01U	1	
C551	ECEA1HKS2R2	50V 2.2U	1	
C552	ECBT1E103ZF	25V 0.01U	1	
C553	ECEA1HKS3R3	50V 0.33U	1	
C554	ECEA1AKS221	10V 220U	1	
C563	ECEA0JKS101	6.3V 100U	1	
C564	RCE1CKA100BG	16V 10U	1	
C601,02	RCE1CKA100BG	16V 10U	2	
C603,04	ECBT1H471KB5	50V 470P	2	
C607,08	ECBT1H471KB5	50V 470P	2	
C611-14	ECBT1H150JC5	50V 15P	4	
C615	ECKR1H103ZF5	50V 0.01U	1	
C616	ECEA1HSN2R2	50V 2.2U	1	
C617,18	ECKR2H103ZU	500V 0.01U	2	
C619	ECBT1E103ZF	25V 0.01U	1	
C620,21	ECQV1H473JM3	50V 0.047U	2	
C622	ECA1HM101	50V 100U	1	
C623,24	ECBT1H102KB5	50V 1000P	2	
C625	ECBT1C103KS5	16V 0.01U	1	
C626,27	ECQV1H473JM3	50V 0.047U	2	
C631,32	ECBT1H473ZF5	50V 0.047U	2	
C633,34	ECBT1H102KB5	50V 1000P	2	
C635,36	ECBT1H473ZF5	50V 0.047U	2	
C637-42	ECBT1H102KB5	50V 1000P	6	
C647	ECBT1H102KB5	50V 1000P	1	
Δ C701	ECA1VM472E	35V 4700U	1	
Δ C702	ECA1VM562E	35V 5600U	1	
Δ C703,04	ECA1VM332	35V 3300U	2	
C706	RCE1VKA100BG	35V 10U	1	
C707	ECBT1E103ZF	25V 0.01U	1	
C709	ECBT1H104ZF5	50V 0.1U	1	
C710	ECBT1E103ZF	25V 0.01U	1	
C714	ECBT1H102KB5	50V 1000P	1	
Δ C715	ECA1EM472	25V 4700U	1	
C717	ECEA1CKS330	16V 33UF	1	
C718	RCE1AKA101BG	10V 100U	1	
C719,20	ECBT1H473KB5	25V 0.047U	2	
C721,22	RCE1AKA101BG	10V 100U	2	
C723	ECBT1E103ZF	25V 0.01U	1	
C731	ECBT1H102KB5	50V 1000P	1	
C732	ECBT1E223ZF	25V 0.022U	1	
C733	ECBT1E103ZF	25V 0.01U	1	
C734	RCE1HKA3R3BG	50V 3.3U	1	
Δ C737	ECA1HM101	50V 100U	1	
C740	RCE1CKA100BG	16V 10U	1	
C741	ECQE1104KF3	100V 0.1U	1	

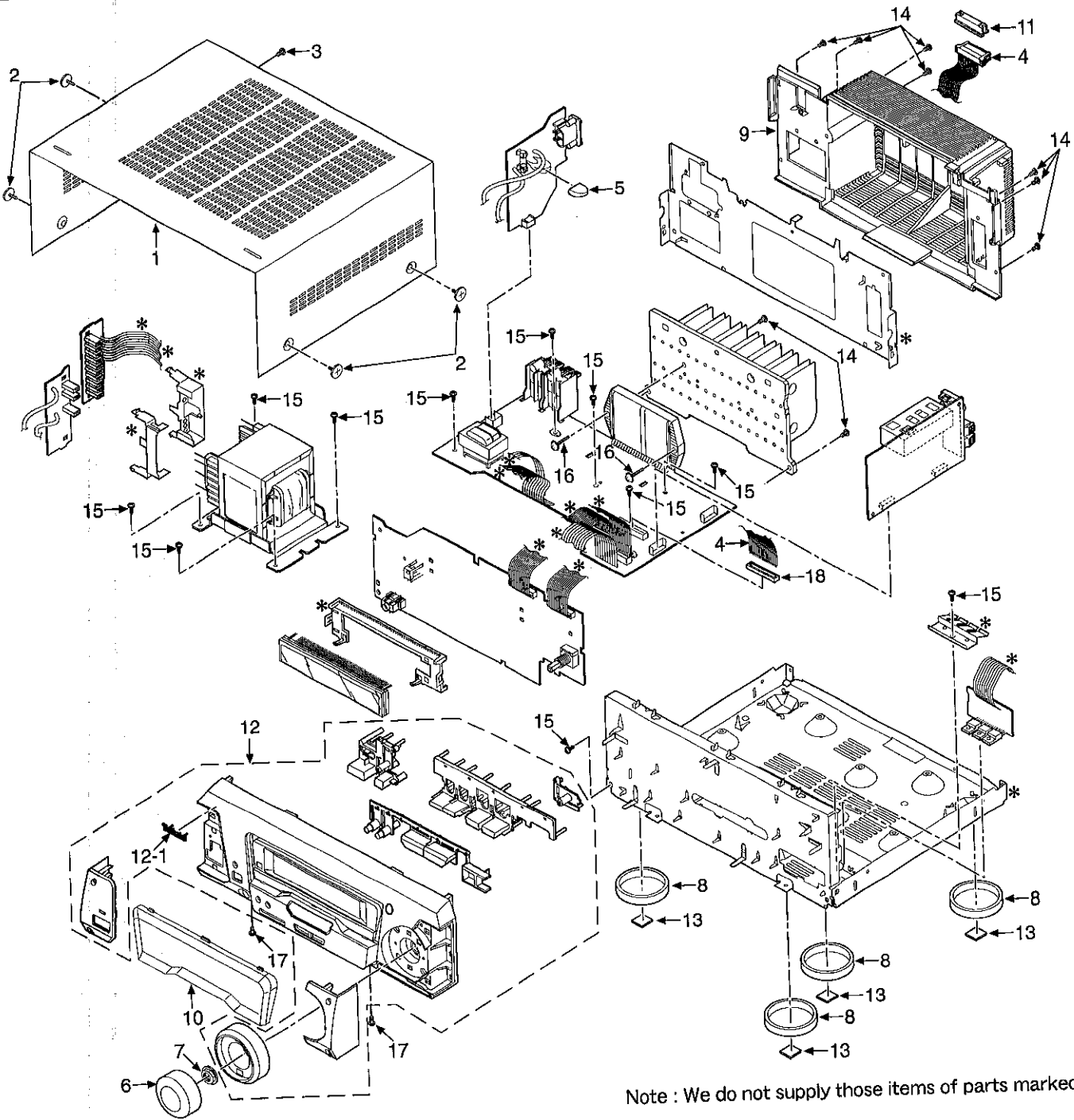
Ref.No.	Part No.	Part Name & Description	Pcs	Remarks
C753	ECKR1H103ZF5	50V 0.01U	1	
△ C754	RCE1CM102BV	16V 1000U	1	
C758	ECBT1E103ZF	25V 0.01U	1	
△ C759	RCE1AKA470BG	10V 47U	1	
C761	ECQE1104KF3	100V 0.1U	1	
△ C791	ECKWRS102MBC	125V 1000P	1	
C901	ECBT1H102KB5	50V 1000P	1	
C902	RCE1AM102BV	10V 1000U	1	
C903,04	ECBT1E103ZF	25V 0.01U	2	
C907,08	ECBT1H471KB5	50V 470P	2	
C909	ECBT1H102KB5	50V 1000P	1	
C910	ECBT1H220JC5	50V 20P	1	
C911	ECBT1H180J5	50V 18P	1	
C912	ECBT1H104ZF5	50V 0.1U	1	
C913	RCE1CKA100BG	16V 10U	1	
C914	ECEA1HKS2R2	50V 2.2U	1	
C915	ECBT1E103ZF	25V 0.01U	1	
C916	EEAFCQJ01B	6.3V 100U	1	
C917	ECBT1E103ZF	25V 0.01U	1	
C918	ECEA0JKS101	6.3V 100U	1	
C919,20	ECEA1HK92R2	50V 2.2U	2	
C921	ECBT1H102KB5	50V 1000P	1	
C922	ECEA1VKA330B	35V 33U	1	
C923,24	ECBT1H104ZF5	50V 0.1U	2	
C925,26	ECBT1H102KB5	50V 1000P	2	
CF201	RLFFETNGD01L	CERAMIC FILTER	1	
CF202	RLFFETMGD01L	CERAMIC FILTER	1	
CN101B,2B	RJU100W07	CONNECTOR(7P)	2	
CN601	RJU057W004	CONNECTOR(4P)	1	
CN701-13	RJS1A1101T1	CONNECTOR(1P)	13	
CP101B,2B	RJT100W07	CONNECTOR(7P)	2	
CP601	RJT057W004-1	CONNECTOR(4P)	1	
△ D101	MA4051M	DIODE	1	
D306	LNJ801TPSJAD	LED	1	
D500	MA165	DIODE	1	
D551,52	MA165	DIODE	2	
D555	MA4100M	DIODE	1	
D558	MA165	DIODE	1	
D562,63	MA165	DIODE	2	
D601,02	SB360L6508	DIODE	2	
D657,58	MA165	DIODE	2	
△ D701-04	1N5402BF	DIODE	4	
△ D705	RL1N4003N02	DIODE	1	
D711	RL1N4003N02	DIODE	1	
D715	MA165	DIODE	1	
D717-20	RL1N4003N02	DIODE	4	
△ D721	MA4300M	DIODE	1	
△ D723	MA4150M	DIODE	1	
△ D725	MA4082LTA	DIODE	1	
D730	MA4091H	DIODE	1	
D736	MA165	DIODE	1	
△ D737	MA4082LTA	DIODE	1	
D738-40	MA165	DIODE	3	
△ D741-44	RL1N4003N02	DIODE	4	
D745	MA4051M	DIODE	1	
D746	RL1N4003N02	DIODE	1	
△ D747	MA4068M	DIODE	1	
D749,50	MA165	DIODE	2	
△ D751,52	1N5402BF	DIODE	2	
△ D753-55	RL1N4003N02	DIODE	3	
D756,57	MA700TA	DIODE	2	
D758	MA165	DIODE	1	
D901,02	1SS291TA	DIODE	2	
D903,04	MA165	DIODE	2	
D905	1SS291TA	DIODE	1	
D908	LNJ301MPUJAD	LED	1	
D915	1SS291TA	DIODE	1	
D951	LNJ301MPUJAD	LED	1	
D954	LNJ401NPYJA	LED	1	
△ D973	MA4039M	DIODE	1	
D974	MA165	DIODE	1	
△ F1	XBA2C10TB0	FUSE	1	
△ F2	XBA2C20TB0	FUSE	1	

Ref.No.	Part No.	Part Name & Description	Pcs	Remarks
FL901	RSL0283-F	FL	1	
IC101	LA1833MN-TLM	IC	1	
IC102	LC72131MDTLM	IC	1	
IC501,02	BA4558FDXE2	IC	2	
△ IC601	RSN307M42	IC	1	
IC901	LC8A524A5K01	IC	1	
JK101	RJH5210M	JACK,ANTENNA	1	
JK601	RJR0054B	JACK,SPEAKER	1	
JK602	RJR0054C	JACK,SPEAKER	1	
△ JK701	SJS9236	JACK,AC INLET	1	
JK903	RJ37TN02-C	JACK,HEADPHONE	1	
L101,02	ELESNR68MA	COIL	2	
L103	ELEXTR47MA9	COIL	1	
L601-04	RLQYR73MW1-0	COIL	4	
△ L701	RLQZ371	COIL	1	
L901	RLQA100JT-Y	COIL	1	
L902	RLQZP1R0KT-Y	COIL	1	
P1	RPF0139	PROTECTION COVER	1	
P2	RPG4397	PACKING CASE(RS)	1	
P2	RPG4396	PACKING CASE(SA)	1	
P2	RPG4398	PACKING CASE(SH)	1	
P2	RPG4399	PACKING CASE(SL)	1	
P3	RPN1195	PAD(RS)	1	
P3	RPN1194	PAD(SA)	1	
P3	RPN1196	PAD(SH)	1	
P3	RPN1203	PAD(SL)	1	
P4	RPG4406	PACKING CASE(SYSTEM)	1 (E)	
P4	RPG4407	PACKING CASE(SYSTEM)	1 (EG)	
P4	RPG4408	PACKING CASE(SYSTEM)	1 (EB)	
P4	RPG4409	PACKING CASE(SYSTEM)	1 (EP)	
P5	RPQ0951	PAD(SYSTEM)	1	
P6	SPP740-1	SHEET	1	
Q101,02	2SC2787FK	TRANSISTOR	2	
Q106	UN4111	TRANSISTOR	1	
Q110	2SC3311AR	TRANSISTOR	1	
Q501-03	2SC3327A	TRANSISTOR	3	
Q505,06	2SC3311AR	TRANSISTOR	2	
Q507,08	UN4115	TRANSISTOR	2	
Q509,10	2SC3327A	TRANSISTOR	2	
Q551	2SA1995RSTA	TRANSISTOR	1	
Q554	2SA1995RSTA	TRANSISTOR	1	
Q555	2SC3327A	TRANSISTOR	1	
Q558	UN4211	TRANSISTOR	1	
Q601,02	2SC5398RSTA	TRANSISTOR	2	
△ Q701	2SD2374PQAU	TRANSISTOR	1	
△ Q702	2SB1548PQAU	TRANSISTOR	1	
△ Q703	2SD592AR	TRANSISTOR	1	
△ Q705	2SA1995RSTA	TRANSISTOR	1	
Q706	UN4211	TRANSISTOR	1	
△ Q707	2SB621A-R	TRANSISTOR	1	
Q708	UN4211	TRANSISTOR	1	
Q709	2SC3327A	TRANSISTOR	1	
△ Q711	2SB1548PQAU	TRANSISTOR	1	
△ Q723	2SC3940AQSTA	TRANSISTOR	1	
△ Q725	2SC5398RSTA	TRANSISTOR	1	
△ Q726	2SC3940AQSTA	TRANSISTOR	1	
Q791	2SC3327A	TRANSISTOR	1	
Q901	UN4212TA	TRANSISTOR	1	
Q906	UN4111	TRANSISTOR	1	
R102	ERDS2FJ472	1/4W 4.7K	1	
R103	ERDS2FJ101	1/4W 100	1	
R104	ERDS2FJ103	1/4W 10K	1	
R105	ERDS2FJ471	1/4W 470	1	
R106	ERDS2FJ474	1/4W 470K	1	
R107	ERDS2FJ331	1/4W 330	1	
R108	ERDS2FJ474	1/4W 470K	1	
R109	ERDS2FJ331	1/4W 330	1	
R110	ERDS2FJ102	1/4W 1K	1	
R111	ERDS2FJ391	1/4W 390	1	
R112	ERDS2FJ104	1/4W 100K	1	
R113	ERDS2FJ103	1/4W 10K	1	

Ref.No.	Part No.	Part Name & Description	Pcs	Remarks
R114	ERDS2FJ562	1/4W 5.6K	1	
R115	ERDS2FJ561	1/4W 560	1	
R116	ERDS2FJ102	1/4W 1K	1	
R117	ERDS2FJ683	1/4W 68K	1	
R118	ERDS2FJ332	1/4W 3.3K	1	
R119	ERDS2FJ103	1/4W 10K	1	
R120	ERDS2FJ473	1/4W 47K	1	
R121	ERDS2FJ223	1/4W 22K	1	
R122	ERDS2FJ272	1/4W 2.7K	1	
R123	ERDS2FJ683	1/4W 68K	1	
R124	ERDS2FJ271	1/4W 270	1	
R125,26	ERDS2FJ152	1/4W 1.5K	2	
R127	ERDS2FJ471	1/4W 470	1	
R128	ERDS2FJ820	1/4W 82	1	
R129	ERDS2FJ273	1/4W 27K	1	
R130	ERDS2FJ103	1/4W 10K	1	
R131	ERDS2FJ680	1/4W 68	1	
R132	ERDS2FJ103	1/4W 10K	1	
R133-37	ERDS2FJ102	1/4W 1K	5	
R138	ERDS2FJ103	1/4W 10K	1	
R139	ERDS2FJ332	1/4W 3.3K	1	
R140	ERDS2FJ472	1/4W 4.7K	1	
R141,42	ERDS2FJ102	1/4W 1K	2	
R143	ERDS2FJ223	1/4W 22K	1	
R145,46	ERDS2FJ104	1/4W 100K	2	
R229,30	ERDS2FJ102	1/4W 1K	2	
R501,02	ERDS2FJ274	1/4W 270K	2	
R503,04	ERDS2FJ183	1/4W 18K	2	
R505,08	ERDS2FJ103	1/4W 10K	2	
R507,08	ERDS2FJ104	1/4W 100K	2	
R509-12	ERDS2FJ470	1/4W 47	4	
R513,14	ERDS2FJ104	1/4W 100K	2	
R515,16	ERDS2FJ331	1/4W 330	2	
R517,18	ERDS2FJ102	1/4W 1K	2	
R519,20	ERDS2FJ152	1/4W 1.5K	2	
R521,22	ERDS2FJ104	1/4W 100K	2	
R523,24	ERDS2FJ121	1/4W 120	2	
R525	ERDS2FJ104	1/4W 100K	1	
R526	ERDS2FJ222	1/4W 2.2K	1	
R527	ERDS2FJ104	1/4W 100K	1	
R528	ERDS2FJ222	1/4W 2.2K	1	
R529,30	ERDS2FJ103	1/4W 10K	2	
R531-34	ERDS2FJ104	1/4W 100K	4	
R535,36	ERDS2FJ222	1/4W 2.2K	2	
R537,38	ERDS2FJ682	1/4W 6.8K	2	
R539	ERDS2FJ101	1/4W 100	1	
R541,42	ERDS2FJ561	1/4W 560	2	
R544	ERDS2FJ103	1/4W 10K	1	
R545	ERDS2FJ222	1/4W 2.2K	1	
R548	ERDS2FJ102	1/4W 1K	1	
R551	ERDS2FJ183	1/4W 18K	1	
R552	ERDS2FJ473	1/4W 47K	1	
R553-55	ERDS2FJ223	1/4W 22K	3	
R556	ERDS2FJ104	1/4W 100K	1	
R557	ERDS2FJ103	1/4W 10K	1	
R558	ERDS2FJ102	1/4W 1K	1	
R559	ERDS2FJ472	1/4W 4.7K	1	
R561	ERDS2FJ104	1/4W 100K	1	
R570	ERDS2TJ225	1/4W 2.2M	1	
R571	ERDS2FJ562	1/4W 5.6K	1	
R572	ERDS2FJ153	1/4W 15K	1	
R591	ERDS2FJ472	1/4W 4.7K	1	
R597,98	ERDS2FJ102	1/4W 1K	2	
R601,02	ERDS2FJ103	1/4W 10K	2	
R603,04	ERDS2FJ682	1/4W 6.8K	2	
R607-10	ERDS2FJ563	1/4W 56K	4	
R611	ERDS2FJ273	1/4W 27K	1	
R612	ERDS2FJ473	1/4W 47K	1	
R617,18	ERDS2FJ472	1/4W 4.7K	2	
R621	ERDS2FJ224	1/4W 220K	1	
R622	ERDS2FJ184	1/4W 180K	1	
R623	ERDS2FJ154	1/4W 150K	1	
R624	ERDS2FJ124	1/4W 120K	1	
R627	ERDS2FJ474	1/4W 470K	1	
R628	ERDS2FJ223	1/4W 22K	1	
R629	ERDS2FJ683	1/4W 68K	1	
R630	ERDS2FJ473	1/4W 47K	1	
R637	ERDS2FJ153	1/4W 15K	1	

Ref.No.	Part No.	Part Name & Description	Pcs	Remarks
R638	ERDS2FJ683	1/4W 68K	1	
△ R639-42	ERDS1FJ100	1/2W 10	4	
△ R647,48	ERDS2FJ2R2	1/4W 2.2	2	
△ R649-52	ERDS1FJ100	1/2W 10	4	
R701,02	ERDS2FJ273	1/4W 27K	2	
△ R707	ERDS2FJ4R7	1/4W 4.7	1	
R708	ERDS2FJ472	1/4W 4.7K	1	
R712	ERDS2FJ222	1/4W 2.2K	1	
R719	ERDS2FJ332	1/4W 3.3K	1	
R720	ERDS2FJ272	1/4W 2.7K	1	
△ R721	ERD2FCJ4R7	1/4W 4.7	1	
△ R722	ERQ16NKW2R2E	1/6W 2.2	1	
R723	ERDS2FJ562	1/4W 5.6K	1	
R724	ERDS2FJ392	1/4W 3.9K	1	
R725	ERDS2FJ100	1/4W 10	1	
R727	ERDS2FJ392	1/4W 3.9K	1	
R729	ERDS2FJ221	1/4W 220	1	
R738	ERDS2FJ392	1/4W 3.9K	1	
R739	ERDS2FJ473	1/4W 47K	1	
R749	ERDS2FJ102	1/4W 1K	1	
R753	ERD16TJ000T	1/4W 0	1	
R763	ERDS2FJ472	1/4W 4.7K	1	
R764	ERDS2FJ331	1/4W 330	1	
△ R765	ERDS1FJ221	1/2W 220	1	
△ R766	ERDS1FJ470	1/2W 47	1	
△ R767	ERDS2FJ4R7	1/4W 4.7	1	
R768	ERDS2FJ101	1/4W 100	1	
R770	ERDS2FJ104	1/4W 100K	1	
R771	ERDS2FJ222	1/4W 2.2K	1	
R772	ERDS2FJ223	1/4W 22K	1	
△ R773	ERDS1FJ470	1/2W 47	1	
△ R774	ERDS1FJ270	1/2W 27	1	
R776	ERDS2FJ103	1/4W 10K	1	
R777	ERDS2FJ102	1/4W 1K	1	
△ R779	ERDS1FJ470	1/2W 47	1	
△ R791,92	RSFMB30KT-L	FUSE PROTECTOR	2	
R793	ERDS2FJ1R0	1/4W 1	1	
R794	ERDS2FJ473	1/4W 47K	1	
R795	ERDS2FJ392	1/4W 3.9K	1	
R901	ERDS2FJ821	1/4W 820	1	
R902	ERDS2FJ102	1/4W 1K	1	
R903	ERDS2FJ122	1/4W 1.2K	1	
R904	ERDS2FJ152	1/4W 1.5K	1	
R905	ERDS2FJ182	1/4W 1.8K	1	
R906	ERDS2FJ222	1/4W 2.2K	1	
R907	ERDS2FJ332	1/4W 3.3K	1	
R908	ERDS2FJ472	1/4W 4.7K	1	
R909	ERDS2FJ182	1/4W 1.8K	1	
R910	ERDS2FJ222	1/4W 2.2K	1	
R911	ERDS2FJ332	1/4W 3.3K	1	
R912	ERDS2FJ472	1/4W 4.7K	1	
R913	ERDS2FJ821	1/4W 820	1	
R914	ERDS2FJ102	1/4W 1K	1	
R915	ERDS2FJ122	1/4W 1.2K	1	
R916	ERDS2FJ152	1/4W 1.5K	1	
R918	ERDS2FJ103	1/4W 10K	1	
R919	ERDS2FJ153	1/4W 15K	1	
R921,22	ERDS2FJ103	1/4W 10K	2	
R923	ERDS2FJ223	1/4W 22K	1	
R924,25	ERDS2FJ102	1/4W 1K	2	
R926	ERDS2FJ222	1/4W 2.2K	1	
R928	ERDS2FJ473	1/4W 47K	1	
R929-32	ERDS2FJ102	1/4W 1K	4	
R933	ERDS2FJ471	1/4W 470	1	
R934-36	ERDS2FJ101	1/4W 100	3	
R937	ERDS2FJ103	1/4W 10K	1	
R939	ERDS2FJ331	1/4W 330	1	
R940	ERDS2FJ102	1/4W 1K	1	
R943	ERDS2FJ101	1/4W 100	1	
R944	ERDS2FJ223	1/4W 22K	1	
R945	ERDS2FJ101	1/4W 100	1	
R946	ERDS2FJ102	1/4W 1K	1	
R947,48	ERDS2FJ104	1/4W 100K	2	
R949	ERDS2FJ472	1/4W 4.7K	1	
R950	ERDS2FJ101	1/4W 100	1	
R951	ERDS2FJ334	1/4W 330K	1	
R952	ERDS2TJ106T	1/4W 10M	1	
R953	ERDS2FJ101	1/4W 100	1	

■ Cabinet Parts Location

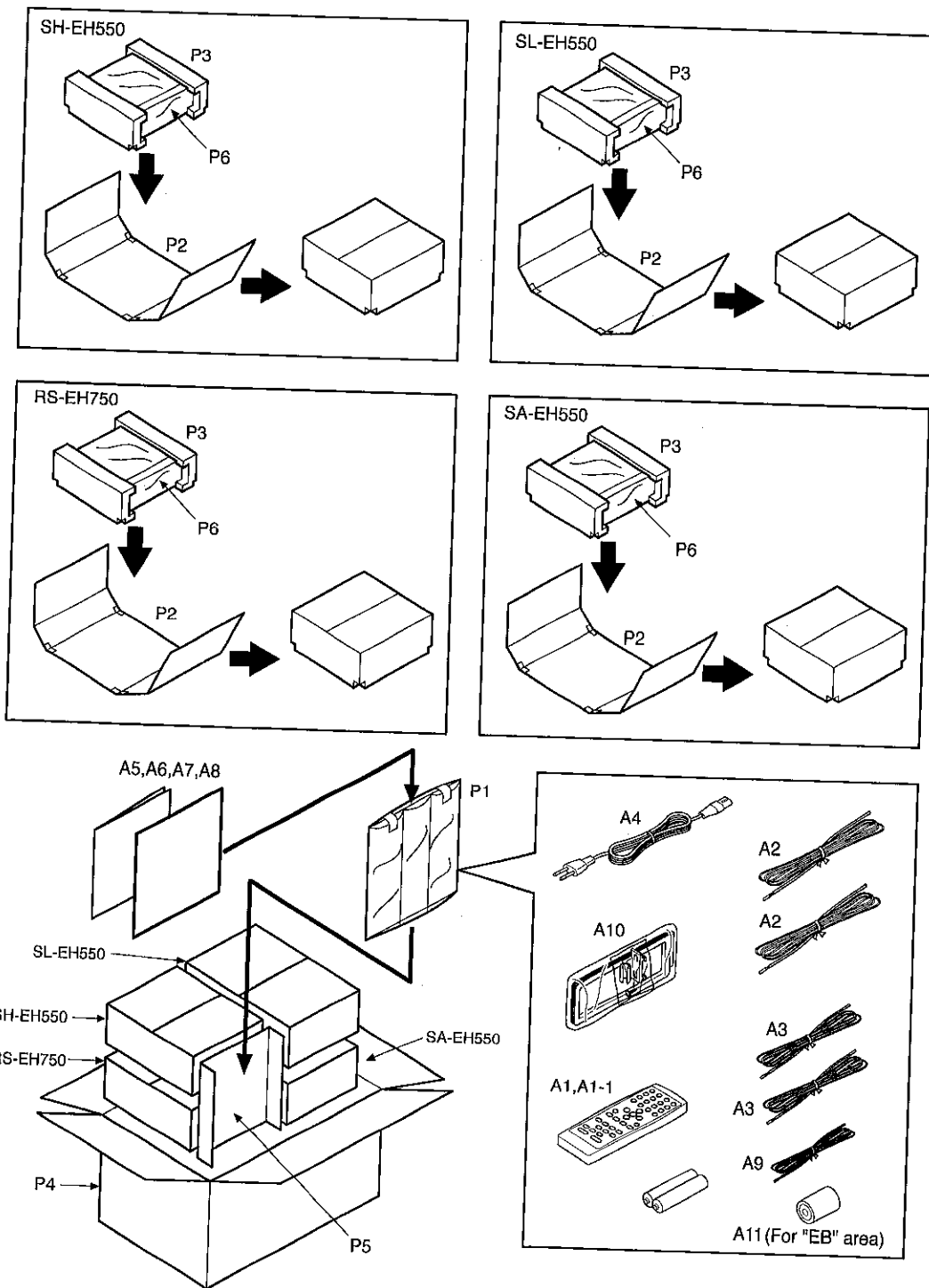


Note : We do not supply those items of parts marked *.

Ref.No.	Part No.	Part Name & Description	Pcs	Remarks
1	RKM0395-S	CABINET	1	
2	RHD30007-K1	SCREW	4	
3	XTBS3+10JFZ1	SCREW	1	
4	REX0967	WIRE ASS'Y	1	
5	RMZ0339	ZNR COVER	1	
6	RGW0317-S	KNOB,VOLUME	1	
7	RHN90001	NUT	1	
8	RKA0106-N	FOOT RING	4	
9	RKF0588A-K	BACK GRILL	1	
10	RKW0581-V	FL WINDOW	1	

Ref.No.	Part No.	Part Name & Description	Pcs	Remarks
11	RMN0427	CABLE HOLDER	1	
12	RYP0915C-S	FRONT PANEL	1	
12-1	RGB0025-A	TECHNICS BADGE	1	
13	SHG1654	RUBBER	4	
14	XTB3+10JFZ	SCREW	9	
15	XTB3+8JFZ	SCREW	11	
16	XTW3+15T	SCREW	2	
17	XTBS3+8JFZ1	SCREW	2	
18	RLBT4001-N	FERRITE CORE	1	

■ Packaging



Ref.No.	Part No.	Part Name & Description	Pcs	Remarks
A1	RAK-EHA18WH	REMOTE CONT.TRANSMITTER	1	
A1-1	RKK0123-H	BATTERY COVER	1	
A2	REE0499	SPEAKER CORD	2	
A3	REE0853	SPEAKER CORD	2	
△ A4	RJA0019-X	AC POWER SUPPLY CORD	1	(E,EG,EP)
△ A4	RJA0053-2X	AC POWER SUPPLY CORD	1	(EB)
A5	RQA0117	WARRANTY CARD	1	(E,EB,EG)
A6	RQCA0668	QUICK REFERENCE GUIDE	1	(EB)
A7	RQCB0169	SERVICE CENTER LIST	1	(E,EB,EG)
A8	RQT4969-E	OPERATING INSTRUCTIONS	1	(E)<lA>
A8	RQT4970-B	OPERATING INSTRUCTIONS	1	(EB,EP)<lB>
A8	RQT4967-D	OPERATING INSTRUCTIONS	1	(EG)<lC>
A8	RQT4968-H	OPERATING INSTRUCTIONS	1	(EG)<lD>
A8	RQT4971-R	OPERATING INSTRUCTIONS	1	(EP)<lE>
A9	RSA0007	FM INDOOR ANTENNA	1	
A10	RSA0022-J	AM LOOP ANTENNA	1	
A11	SJP9009	ANT ADAPTOR	1	(EB)

Ref.No.	Part No.	Part Name & Description	Pcs	Remarks
P1	RPF0139	PROTECTION COVER	1	
P2	RPG4397	PACKING CASE(RS)	1	
P2	RPG4396	PACKING CASE(SA)	1	
P2	RPG4398	PACKING CASE(SH)	1	
P2	RPG4399	PACKING CASE(SL)	1	
P3	RPN1195	PAD(RS)	1	
P3	RPN1194	PAD(SA)	1	
P3	RPN1196	PAD(SH)	1	
P3	RPN1203	PAD(SL)	1	
P4	RPG4406	PACKING CASE(SYSTEM)	1	(E)
P4	RPG4407	PACKING CASE(SYSTEM)	1	(EG)
P4	RPG4408	PACKING CASE(SYSTEM)	1	(EB)
P4	RPG4409	PACKING CASE(SYSTEM)	1	(EP)
P5	RPQ0951	PAD(SYSTEM)	1	
P6	SPP740-1	SHEET	1	